

LED Tube Installation Guide



READ THE INSTALLATION GUIDE CAREFULLY BEFORE INSTALLATION.

WARNING:

- RISK OF FIRE OR ELECTRIC SHOCK. INSTALLATION OF LED RETROFIT KIT REQUIRES KNOWLEDGE OF LUMINAIRES ELECTRICAL SYSTEMS. IF NOT QUALIFIED, DO NOT ATTEMPT INSTALLATION, CONTACT A QUALIFIED ELECTRICIAN.
- THE POWER SUPPLY MUST BE TURNED OFF BEFORE INSTALLATION.
- THIS LAMP IS NOT SUITABLE FOR USE IN EMERGENCY LUMINAIRES DESIGNED FOR DOUBLE CAPPED FLUORESCENT LAMP(S).
- TO PREVENT WIRING DAMAGE OR ABRASION, DO NOT EXPOSE WIRING TO EDGES OF SHEET METAL OR OTHER SHARP OBJECTS.
- THIS LAMP IS DESIGNED TO FIT STANDARD IEC COMPLIANT G13 BI-PIN LAMPHOLDERS.
- THIS LED TYPE A LAMP IS PROTECTED ACCORDING TO IP20. APPLICATIONS WITH EXTERNAL RISK OF MOISTURE AND DUST CAN BE SERVED WITH AN ADEQUATELY PROTECTED LUMINAIRE WITHIN AMBIENT OPERATING TOLERANCES OF LAMP.
- DO NOT OPERATE THE PRODUCT WITH THE DAMAGED GLASS; FIRSTLY THE PRODUCT SHOULD BE TURNED OFF AND SHOULD BE REPLACED BY A QUALIFIED ELECTRICIAN.

PRODUCT SPECIFICATIONS

| Type Number | Wattage | Input Voltage | Input Frequency | Dimensions** (C × D) | The type of lamp it replaces | | | |
|-------------------|---------|---------------|-----------------|-------------------------|------------------------------|-----|-----------------------|-----------|
| | | | | | Nominal Wattage* | Cap | Nominal Dimensions*** | IP Rating |
| COT8-ECO-9-60F | 9W | 100-240Vac | 50/60Hz | 602.8×27.8mm | 18W | G13 | 600 × 26mm | IP20 |
| COT8-ECO-10.5-60F | 10.5W | 100-240Vac | 50/60Hz | 602.8×27.8mm | 18W | G13 | 600 × 26mm | IP20 |
| COT8-ECO-16-120F | 16W | 100-240Vac | 50/60Hz | 1212.4×27.8mm | 36W | G13 | 1200 × 26mm | IP20 |
| COT8-ECO-20-120F | 20W | 100-240Vac | 50/60Hz | 1212.4×27.8mm | 36W | G13 | 1200 × 26mm | IP20 |
| COT8-ECO-23-150F | 23W | 100-240Vac | 50/60Hz | 1513×27.8mm | 58W | G13 | 1500 × 26mm | IP20 |
| COT8-ECO-27-150F | 27W | 100-240Vac | 50/60Hz | 1513×27.8mm | 58W | G13 | 1500 × 26mm | IP20 |

The operating temperature range of this LED tube is between -20 ~ 45 °C.

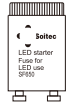
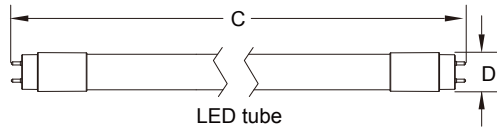
* This LED tube can only operate together with magnetic ballast. When retrofitting luminaire with electronic ballast, remove the electronic ballast and rewire the circuit as per the 2nd wiring example shown below.

** Actual dimensions (compliant with IEC 60081)

*** Nominal dimensions in IEC 60081

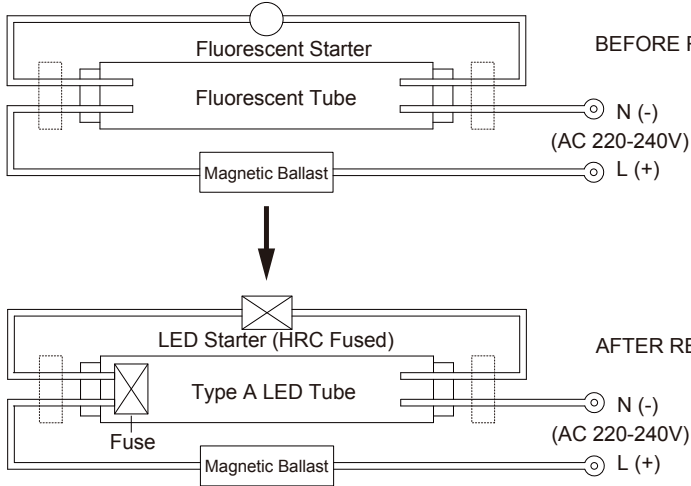
Packing list:

- 1.LED T8 tube
- 2.LED starter (HRC Fused)
- 3.Starter holder
- 4.Warning sticker
- 5.Installation guide

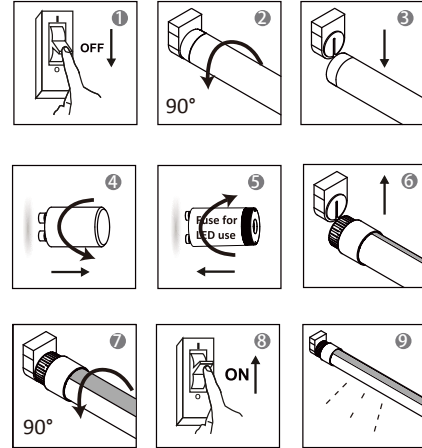


LED Starter with an internal 250V HRC 0.5A max. quick-acting fuse

1.Wiring example of a single circuit luminaire with magnetic ballast.



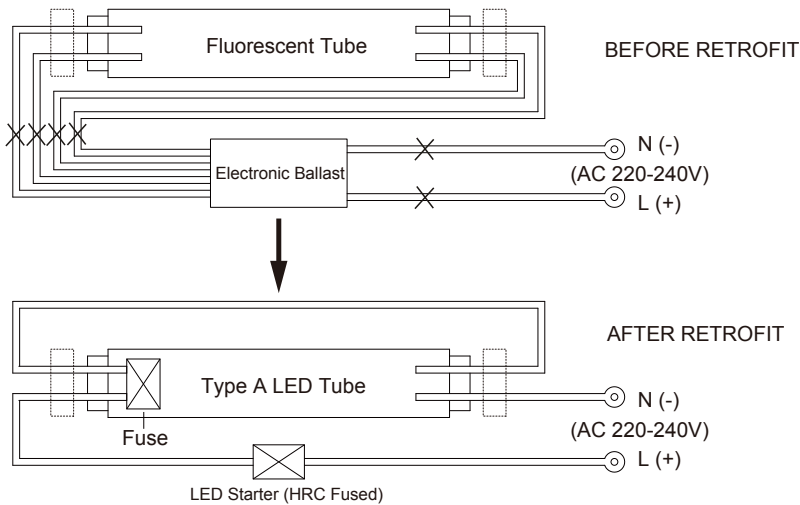
INSTRUCTIONS:



WARNING:

- If the luminaire contains compensating capacitor(s), to maintain LED T8 nominal 0.9 PFC, it is recommended to remove it from the circuit.

2.Wiring example of a single circuit luminaire with electronic ballast.



INSTRUCTIONS:

1. Switch off power supply before re-wiring and installation.
2. Remove the conventional fluorescent tube.
3. Remove the electronic ballast.
4. Rewire the fixture as shown in the AFTER RETROFIT circuit diagram and connect the included starter holder to the cord of anode in series.
5. Place Warning Stickers provided in clearly visible locations.
6. Install the T8 LED tube, then fix the replacement starter into the starter holder.
7. Switch on the power supply.

WARNING:

- A fuse shall be used to protect the lamp that is inadvertently installed against short circuits. The luminaire shall have a fuse replacement rating label.

Each fuse shall-

- (a) be of the 250V HRC type;
- (b) have a 0.5 A max. quick-acting type rating; and
- (c) be used to protect a maximum of two lamps.

NOTE: A quick-acting type fuse is defined in the IEC 60127 series as 'Type F'.

- The luminaire has been modified and can not be operated with conventional fluorescent lamp any longer. Only the same type of LED tube can be replaced.
- The manufacturer of the original luminaire will no longer be responsible for the compliance of the modified product. Any modifications made to the original luminaire may alter the safety aspects of the original luminaire; hence compliance assessments of the original luminaire may no longer be applicable to the modified luminaire.
- The supplied warning sticker must be placed on the luminaire and must be visible during lamp replacement.
- The rating of the lamp must not exceed the maximum wattage of the lamp that it is intended to replace or the total wattage of the replacement lamps must not exceed the maximum wattage of the luminaire.

CEOTIS ECLAIRAGE
 C/O SOITEC
 Parc technologique des fontaines
 Chemin des Franques
 38190 Bernin France
 Email:contact@ceotis.fr
 TEL: +33 (0)476 92 97 70